

For reference only. See data sheet for the detailed specifications.

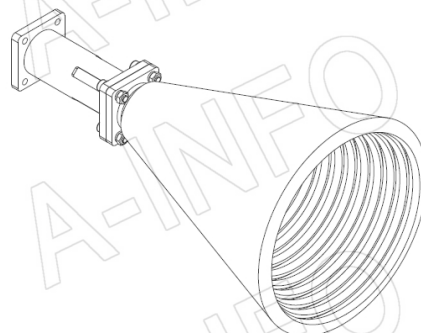
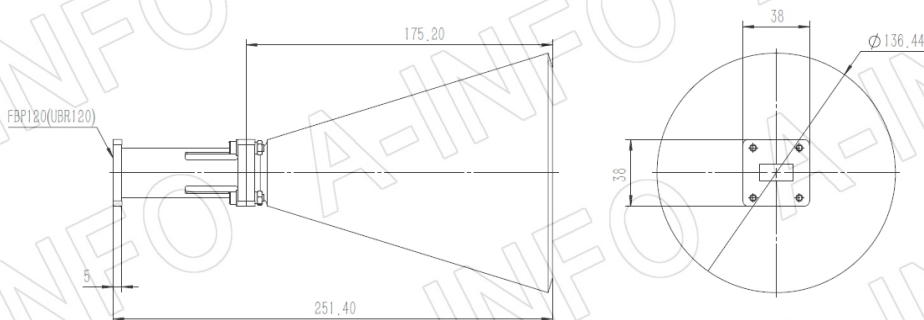
## Technical Specification



Frequency Range(GHz)	10.0 – 15.0
Waveguide	WR75
Gain(dBi)	20 Typ.
Polarization	Linear
3dB Beamwidth(deg)	E Plane: 15 Typ.
	H Plane: 15 Typ.
Cross Pol. Isolation(dB)	45 Typ. ; 35 Min.
VSWR	A Type: 1.30:1 Typ.
	C Type: 1.50:1 Typ.
Output	A Type: FBP120(UBR120) SMA-Female or N-Female
	C Type: TNC-Female or 7mm or 3.5mm-Female
Material	Al
Finish	Silver Plated and Chemical Conversion Coating, Gray Paint
Size(mm)	A Type: 136.44 x 136.44 x 251.4
	C Type: 136.44 x 136.44 x 281.4
Net Weight(Kg)	A Type: 0.80 Around
	C Type: 0.85 Around

## Outline Drawing (Size: mm)

FBP120 Output (P/N: LB-CH-75-20-A)



**AINFO Inc.**

China(Beijing): Tel: (+86) 10-6266-7326,  
China(Chengdu): Tel: (+86) 28-8519-2786,  
USA : Tel: (+1) 949-639-9688,

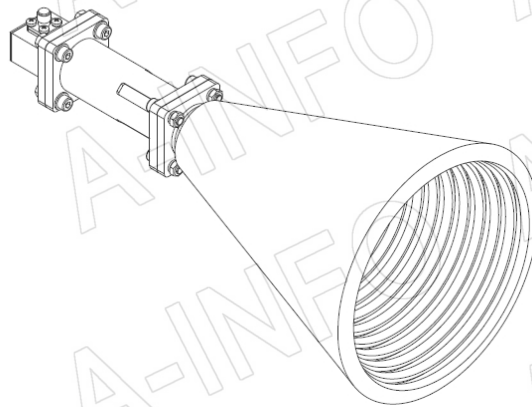
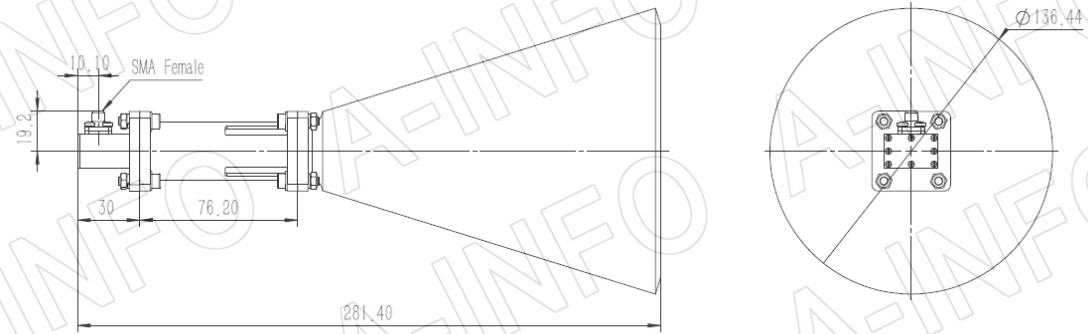
Page 1 of 9

(+86) 10-6266-7327 Fax: (+86) 10-6266-7379  
(+86) 28-8519-3044 Fax: (+86) 28-8519-3068  
(+1) 949-639-9608 Fax: (+1) 949-639-9670

Website: [www.ainfoinc.com](http://www.ainfoinc.com)  
Email: [sales@ainfoinc.com](mailto:sales@ainfoinc.com)

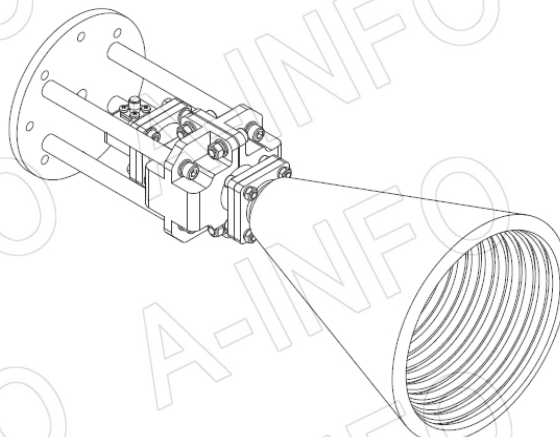
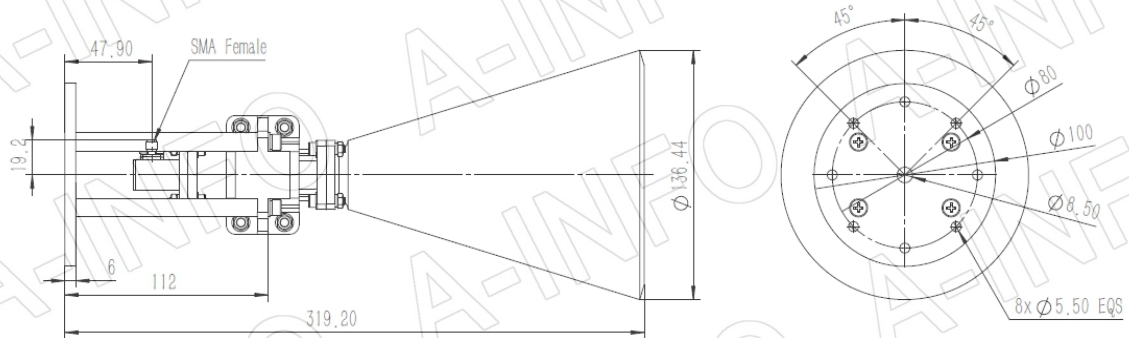
## SMA-Female Output (P/N: LB-CH-75-20-C-SF)

For N-Female, TNC-Female, 7mm or 3.5mm-Female output outline drawing, please contact A-INFO.



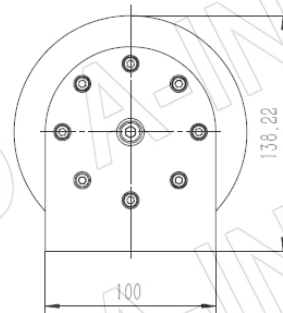
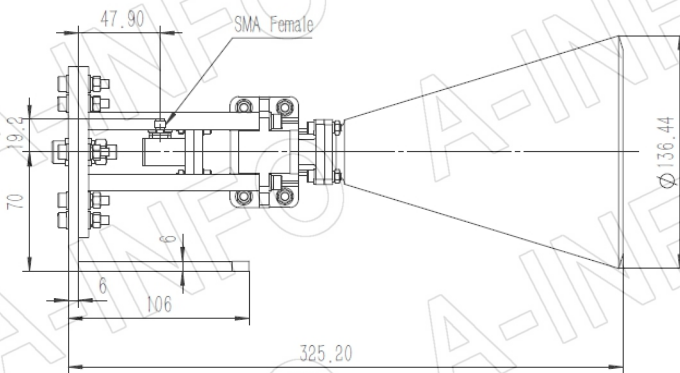
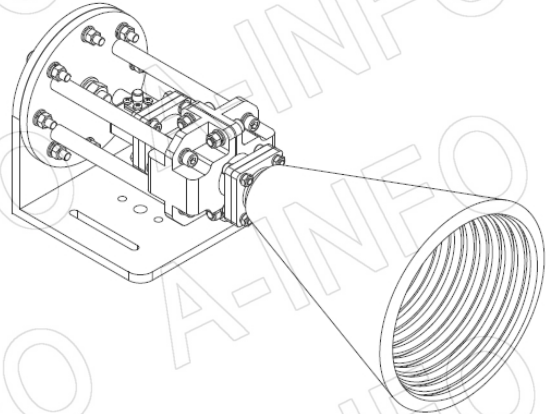
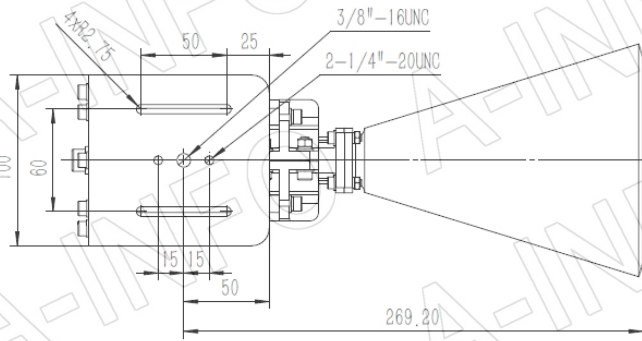
## SMA-Female Output with Round Mounting Bracket (Option, P/N:LB-DG-75-20-MB)

For N-Female, TNC-Female, 7mm or 3.5mm-Female output outline drawing, please contact A-INFO.

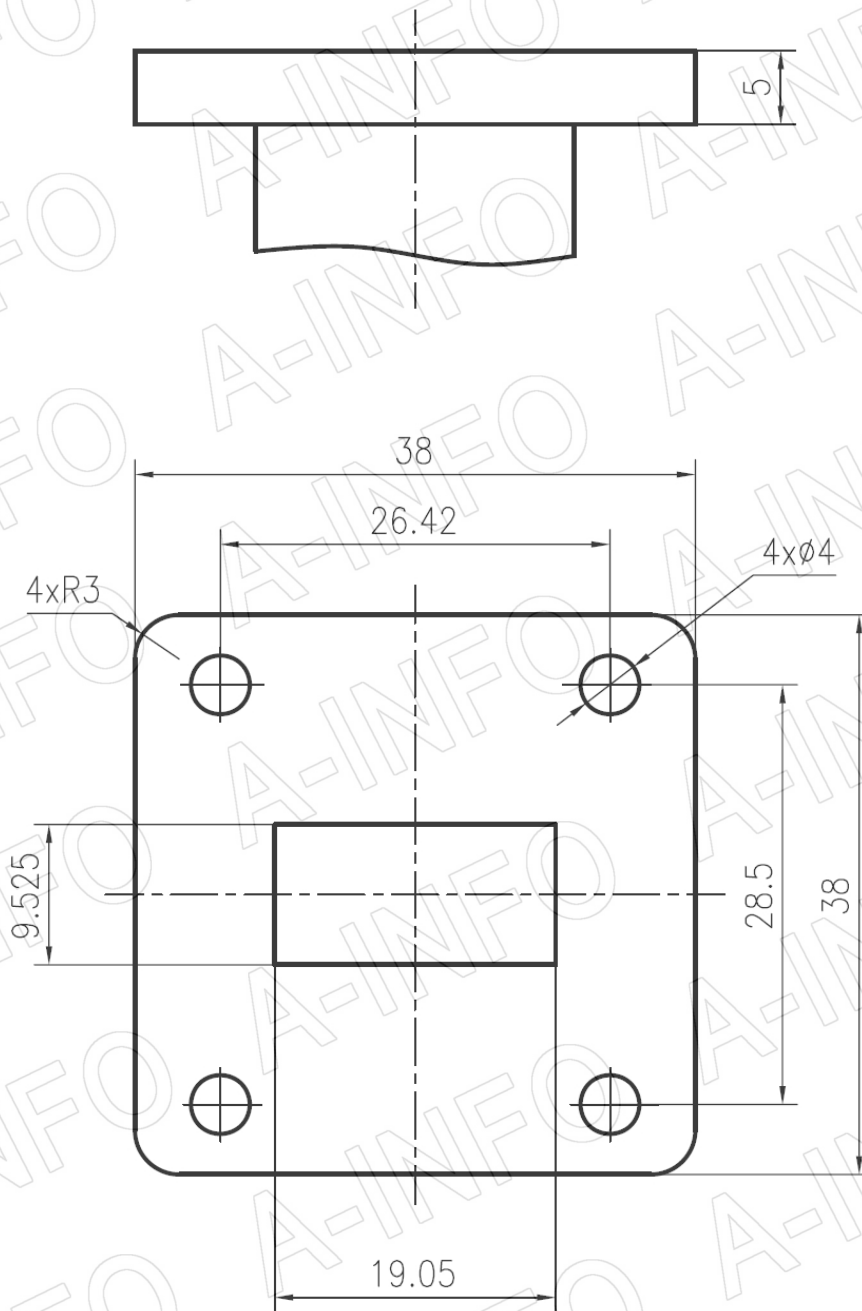


## SMA-Female-Female Output with L Type Mounting Bracket (Option, P/N:LB-DG-75-20-MBL)

For N-Female, TNC-Female, 7mm or 3.5mm-Female output outline drawing, please contact A-INFO.



## Flange Drawing (Size: mm)



### FBP120

AINFO Inc.

China(Beijing): Tel: (+86) 10-6266-7326,  
China(Chengdu): Tel: (+86) 28-8519-2786,  
USA: Tel: (+1) 949-639-9688,

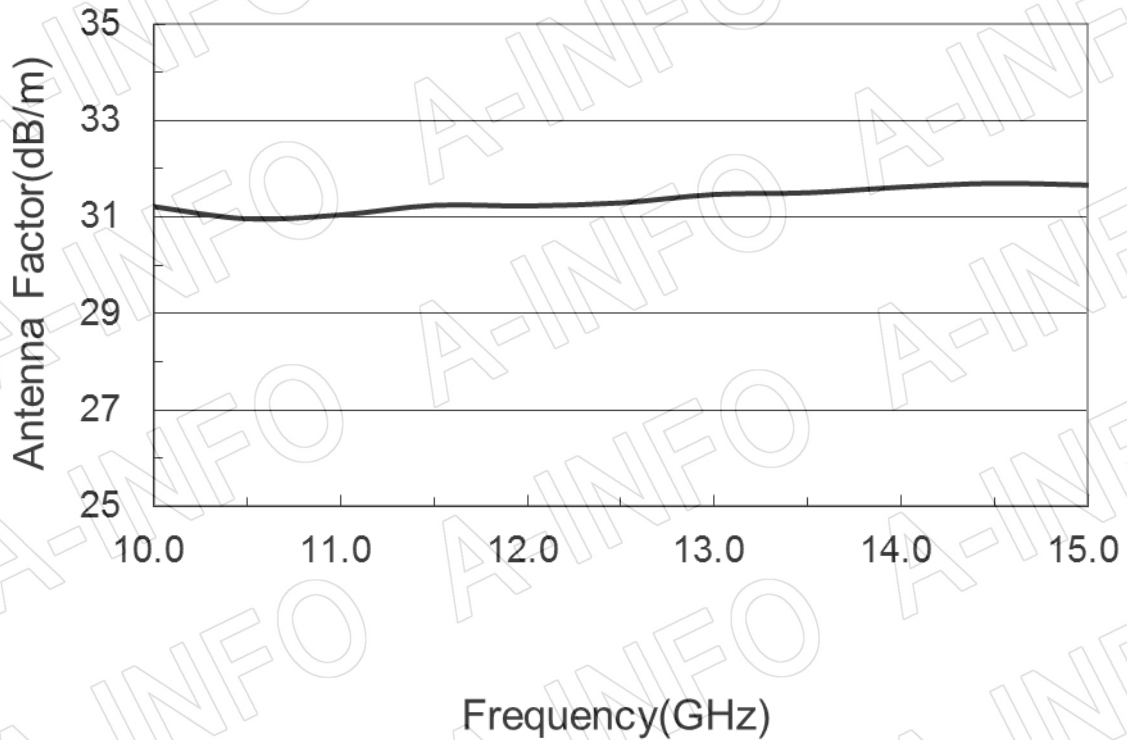
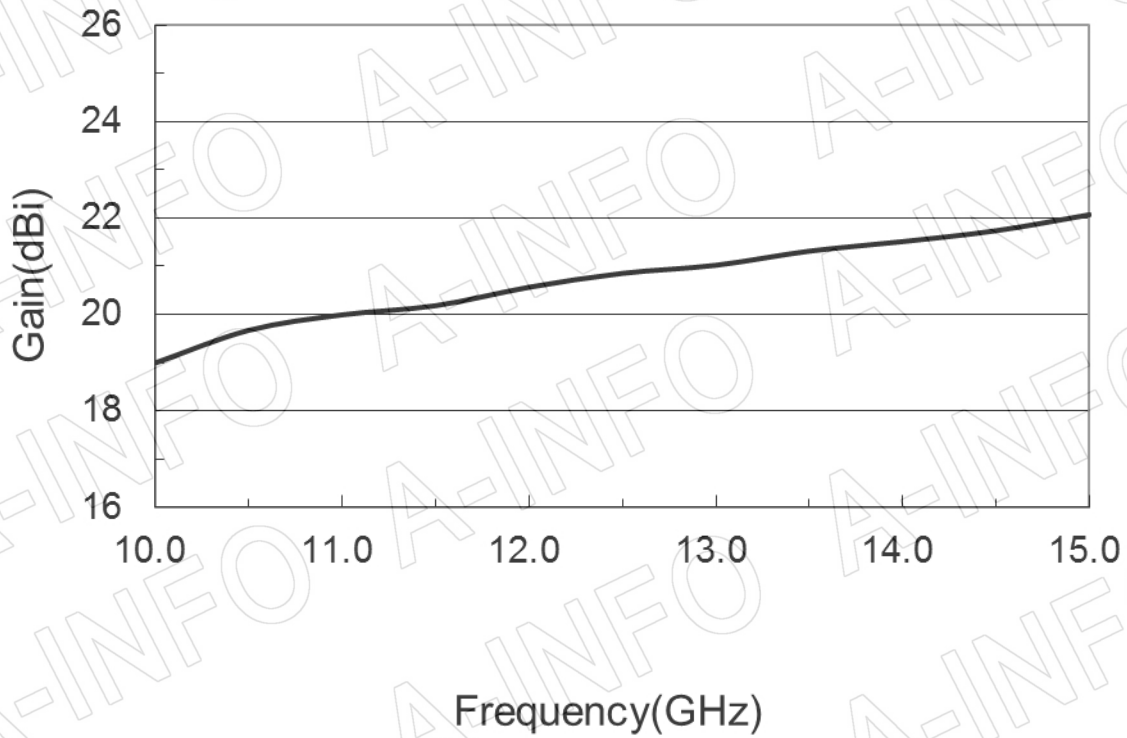
Page 4 of 9

(+86) 10-6266-7327 Fax: (+86) 10-6266-7379  
(+86) 28-8519-3044 Fax: (+86) 28-8519-3068  
(+1) 949-639-9608 Fax: (+1) 949-639-9670

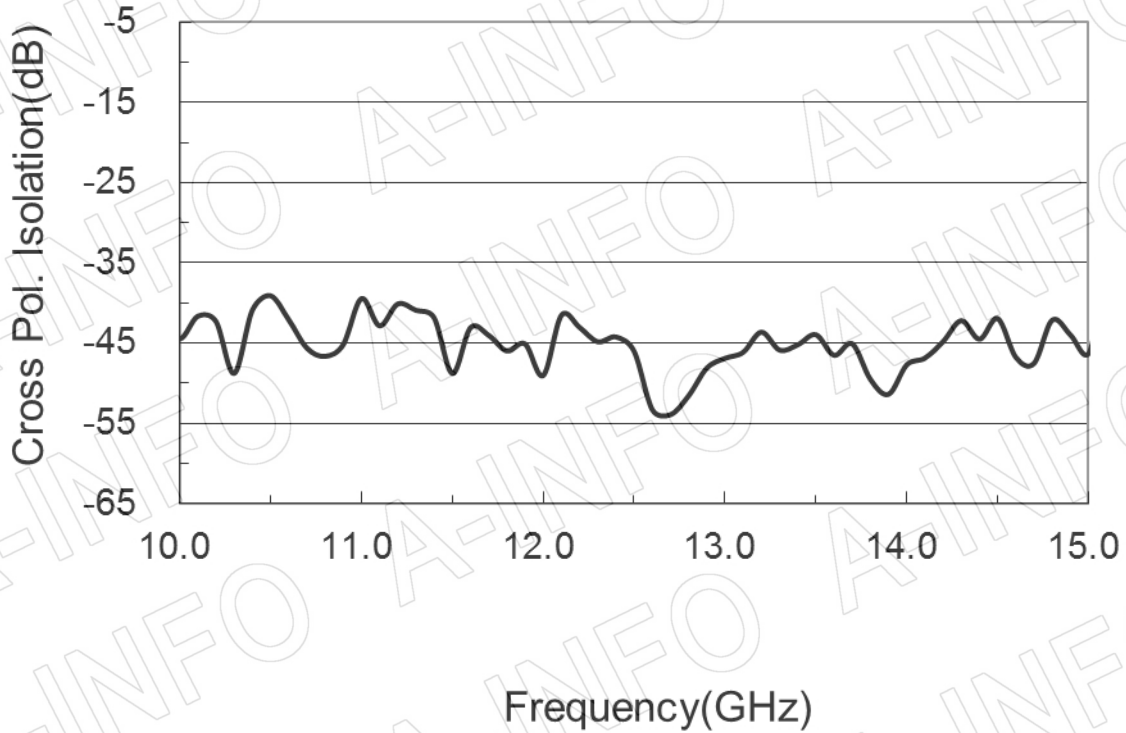
Website: [www.ainfoinc.com](http://www.ainfoinc.com)  
Email: [sales@ainfoinc.com](mailto:sales@ainfoinc.com)

## Test Results

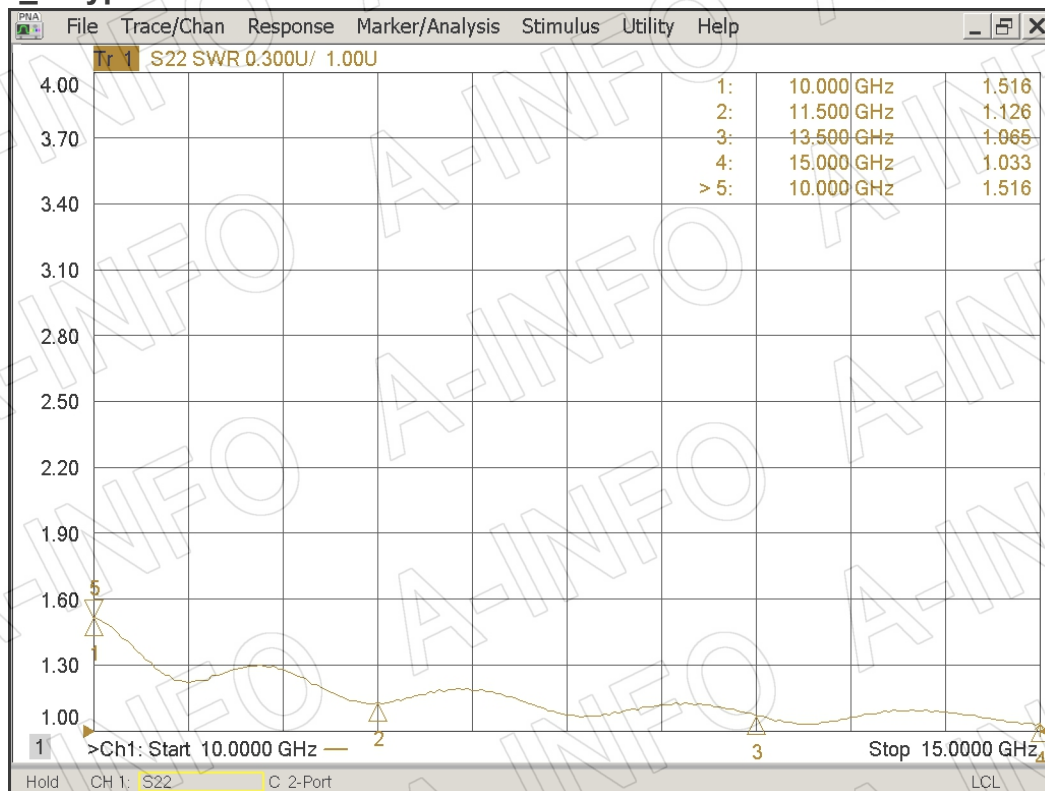
### 1. Gain & Antenna Factor



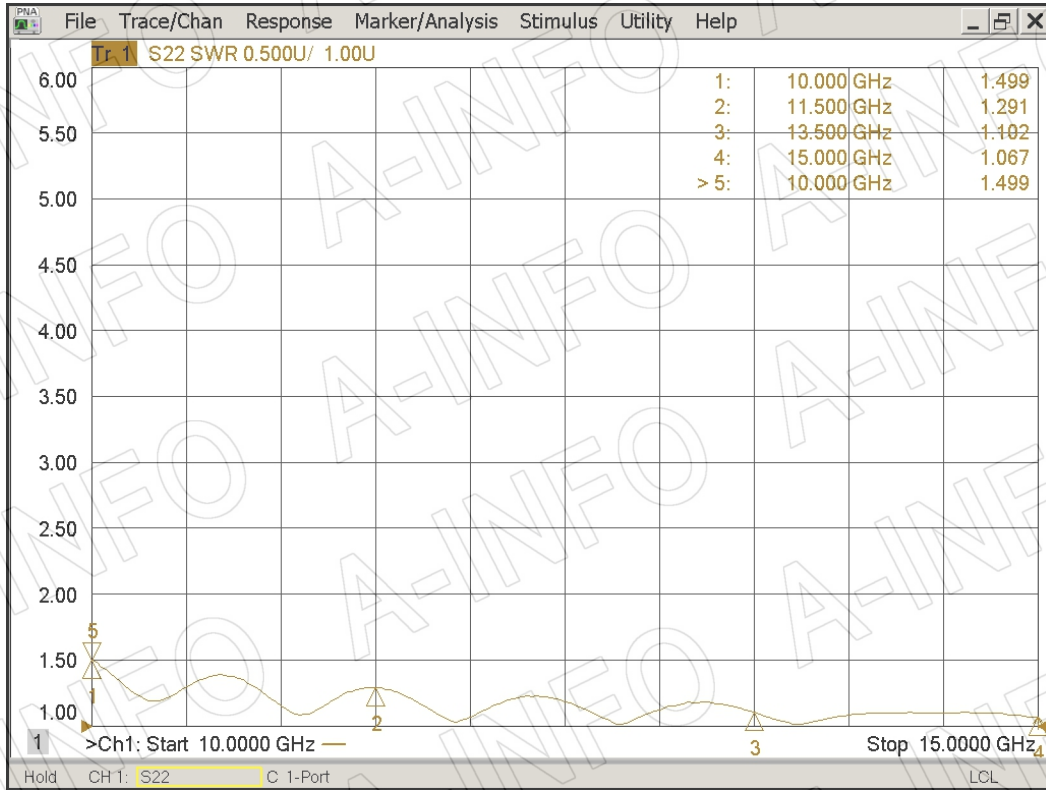
## 2. Cross Polarization Isolation



## 3. VSWR\_A Type



## VSWR\_C Type



## 4. Pattern

